

## Driverless led spot light Specification

**Product:** Driverless COB led spot light

**Model No.:** GNH-AC-GU10-A-5W

**Date:** Dec 24th, 2014



### LED Spotlights with **LONG** life designed in!

**5W** HV LED Series  
GU10 SPOTLIGHT

- No driver = longer life
- Power factor >0.97
- Superb heat radiators
- Samsung COB LED's
- Incredible Performance
- 50W Replacement
- Dimmable support



**550 lm**  
57mm/60.5mm/63mm Optional.

LED GU105W, dim, 50/60 Hz, RoHS TUV, CE EMC LVD, M MIDDY ISO 9001:2008, C tick, SAA APPROVAL



Greenough

**Greenough Enterprises Co., Ltd.**

LED luminaries Manufacturer and Exporter

## I. Product introduction

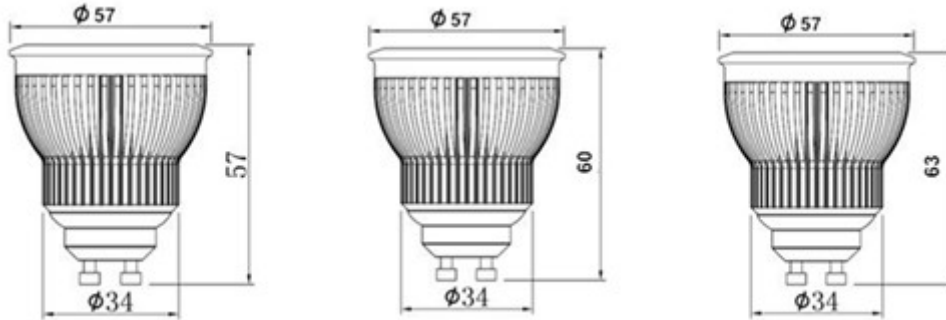
### Characteristics

1. No driver thus it can avoid the failure of driver
2. Dimmable matching different dimmer control. like PMW, Silicon controlled rectifier,etc almost 85%dimmer
3. 50W halogen replacement
4. Scientific thermal design, longer life span
5. AC LED technology makes LEDs work directly by AC110-130V/ AC220-240V without any driver, we call it driver-free light. These LEDs can be connected directly to normal power supplies (usually 110V at 60HZ or 230V at 50HZ).
6. Original Samsung AC COB, low life decaying rate
7. Clean and pure light effect, energy saving
8. Warranty : 2 years to 4 Years
9. Driverless, 30,000hrs life span
10. Easy to pass CE SAA Certificates for its driverless
11. 100% pass CE RoHS certificates for its no ICs Capacitors Inductance and Transformers



## II. Specifications, parameters

### 1. Dimensional Drawing(Unit: mm):



### 2. Contrastive Picture for traditional and driverless led spot light



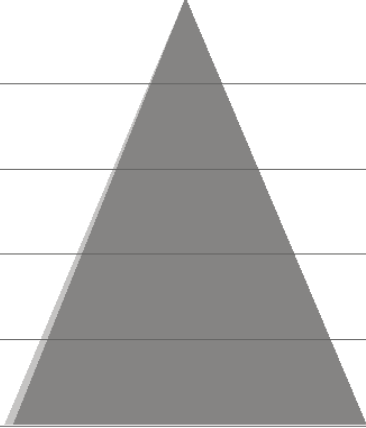
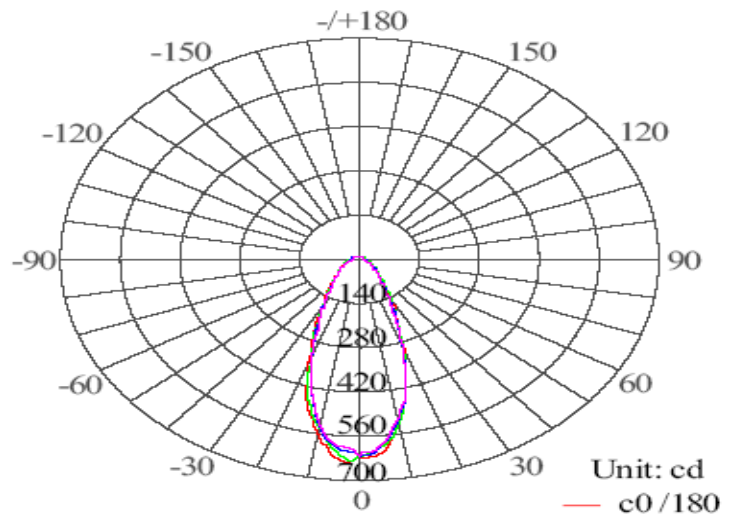


### 3. LED spot light technical parameters (\*\*\*) Note: Different CCT LEDs has different optical properties. The deviation is less than 5%(\*\*\*)

	<b>GNH-AC-GU10-A-5W</b>
Power	5W
Dimension	Φ 57*H57mm;Φ57*H60mm;Φ57*H63mm
Lighting Source	Samsung AC COB
LED Qty	1PC
Voltage	AC 110-120V/AC 220-240V
Material	6063 Aluminum
Color temperature	2700/3000K/4000K/5000K/6000K
Luminous flux	530LM ±5%;540LM ±5%;550LM ±5%
Luminous Efficacy	106lm/w;108m/w;110lm/w
CRI	85Ra;80Ra;70Ra
Beam Angel	24°/38°/45°
Lumen Attenuation	1000hrs <0.5%
Life Span	50,000hrs

### 4. Brightness Contrast:

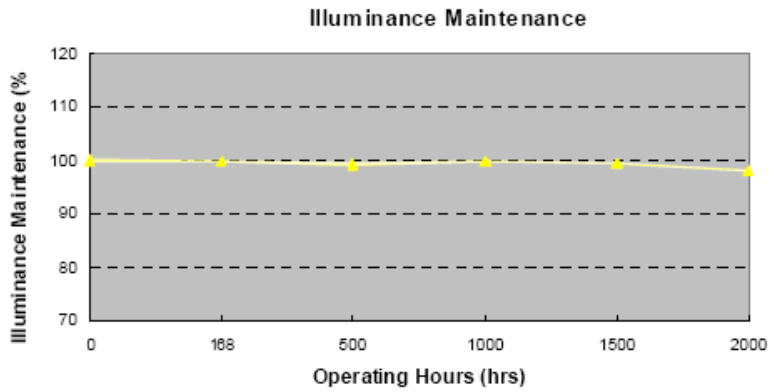
H[m]	Diameter[m]	Illuminance[lx]
1.0		691.71 669.16
2.0		172.93 167.29
3.0		76.86 74.35
4.0		43.23 41.82
5.0		27.67 26.77



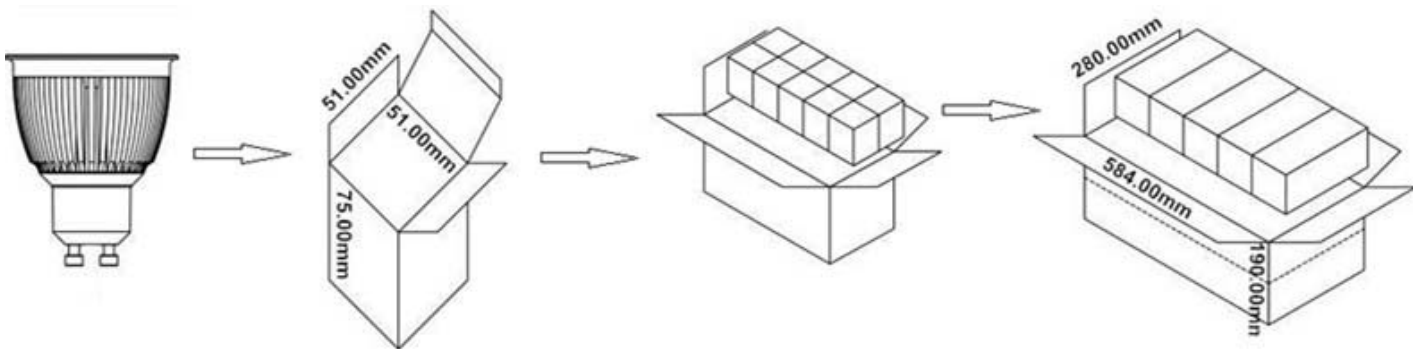
### 5. LEDs Lumen Attenuation:

Testing condition: None break operation



### 6. Packing details

Part No.	Packing Box	Outer Carton	Gross Weight	Net weight
GNH-AC-GU10-A-5W	51*51*75mm	280*584*190mm 100pcs/carton	10.8KGS	7.8KG





Greenough

**Greenough Enterprises Co., Ltd.**

LED luminaries Manufacturer and Exporter

**7. Application:**

As usual they are widely used Hotels, Hospitals, Commercial Complexes, Conference / Meeting rooms, Factories & Offices, Residential / Institution Buildings, Schools and so on.

